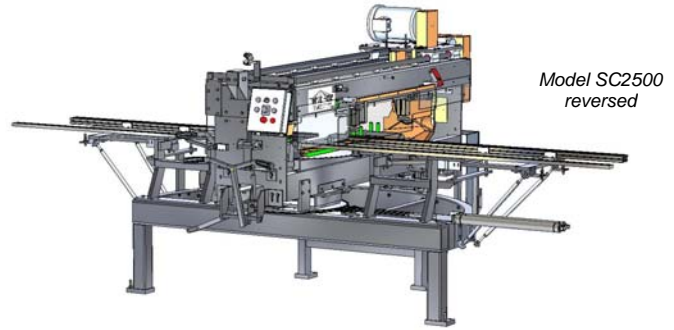
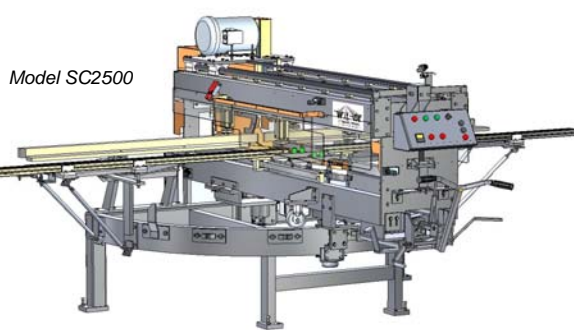


# COUNTERTOP SAW

MODELS SC2000 • SC2500 • SC2500 reversed • SC2750



FEATURES		MODELS			
		SC2000	SC2500	SC2500 reversed	SC2750
●	standard				
●	option without additional fee				
○	option with additional fee				
Spring latch system for easy positioning and locking at standard miter positions 22½°, 45° and 90°.		●	●	●	●
Saw carriage on linear bushings.		●	●	●	●
Fixed forward and return speed.		●	●	●	●
Variable traverse speed to allow controlled cutting.		○	○	○	○
Sturdy saw mandrel with sealed ball bearings and Ø1" shaft (blade not included).		●	●	●	●
Telescopic positioning ruler to support cut countertops.		●	●	●	●
Countertop positioning fences made of anodized aluminium.		●	●	●	●
Drawbolt cavities routing system with 4 router motors moved by the operator with the help of handles bars guided by template. ( with a safety interlock). 4 pneumatic hold-down clamps independently positionable for optimal hold of countertop.		n/a	●	●	●
New Wil-Be unified Drawbolt cavities routing system		n/a	○	○	○
Movable router on 3 positions: standard, close and far.		n/a	○	○	○
Templates for manual routing of draw bolt cavities for 1, 3 or 4 cavities.		○	○	○	○
Pivoting oversized head in height and length (only one choice among the following).	For an Ø18" blade (not included).	n/a	n/a	n/a	●
	For an Ø20" blade (not included).	n/a	n/a	n/a	●
Pivoting upper frame with pneumatic locking device allowing cut at any angle up to 46° <b>with digital display</b> of angular position.		○	○	○	○
Pivoting upper frame with pneumatic locking device allowing cut at any angle up to 46° <b>without digital display</b> of angular position.* With this option, the <i>Laser</i> option is strongly recommended.		○	○	○	○
Pivoting upper frame with pneumatic locking device allowing cut at any angle up to 46° <b>without digital display</b> of angular position <b>with integrated protractor on the frame of the machine.</b>		n/a	n/a	○	n/a
Guiding laser mounted on the machine for easy alignment on marks.		○	○	○	○
Electrical requirement (only one choice among the following).	600V • 15A • 3 phases.	●	n/a	n/a	n/a
	600V • 15A • 3 phases and 120/240V • 30A • 1 phase.	n/a	●	●	●
	120/240V • 30A • 1 phase.	○	○	○	○
	208 to 240V • 30A • 3 phases.	○	○	○	○
Carbide tipped Ø16" saw blade.		○	○	○	n/a
Set of 4 carbide tipped router bits.		○	○	○	○
Infeed and outfeed roller conveyors.		○	○	○	○
2 suction ports ready for connection of a sawdust collector.		●	●	●	●
Complete security kit.		●	●	●	●
Security kit for upgrading to standards a <b>machine built before 2007.</b>		n/a	n/a	n/a	n/a

Machine entirely adjusted and tested at the plant before shipping.  
Warranty: 1 year on parts and labour, 90 days on electrical components.

see reverse side →

SPECIFICATIONS	SC2000	SC2500 & SC2500 reversed	SC2750	
			Ø18" BLADE	Ø20" BLADE
MAXIMUM CUTTING HEIGHT	5 3/4"		6 3/4"	7 3/4"
MAXIMUM COUNTERTOP WIDTH THAT CAN BE CUT On a maximum 2" thick cutting height @ 22½° 45° 90°	56 ¼" / 55" 43 ⅛" / 42 ⅛" 61" / 59 ⅝"		55" / 53 ¼" 42" / 40 ⅝" 59 ½" / 57 ⅝"	53 ⅝" / 51 ⅜" 41" / 39 ¼" 58" / 55 ⅝"
PIVOTING UPER FRAME INTERIOR LENGTH	97"			
SUCTION PORTS DIAMETER	Ø 3" and Ø 4"			
FEED SPEED Fixed Variable (optional)	18 feet/minute 0 - 45 feet/minute			
CARBIDE TIPPED SAW BLADE Ø 16" (optional)	FS TOOL XL4000 #SS1400 Ø16" x Ø1" x 120 teeth		n/a	n/a
DRAW BOLT CAVITIES ROUTING SYSTEM Number of routers Router motors Carbide tipped router bits (optional)	n/a	4 1¼ hp CD: ½", CL: 1¼", SD: ½", OL: 2⅞", 1 flute		
INFEED AND OUTFEED ROLLER CONVEYORS (optional) Width Length of one section	15" 120"			
ELECTRICAL REQUIREMENT (60Hz) Standard  Optional	600V • 15A • 3 phases	600V • 15A • 3 phases and 120/240V • 30A • 1 phase  120/240V • 30A • 1 phase or 208 to 240V • 30A • 3 phases		
PNEUMATIC REQUIREMENT Compulsory for models SC2500, SC2500 reversed and SC2750 Required for options marked by * on model SC2000	1 CFM at 60 psi			
MACHINE DIMENSIONS (without conveyors) Length Width Height	122 ⅝" [127" required space] 92 ⅛" [202" required space] 70"			
SHIPPING DIMENSIONS Length Width Height	137" 87" 76"			
SHIPPING WEIGHT (approximate)	2000 lbs	2350 lbs	2600 lbs	

