

MANOEUVRABLE GRADER SCRAPER

for multiple uses [fields, yards, roads, ice, ...]

SmartSURFACETools™



see it in action on video at www.wil-be.com

financing available

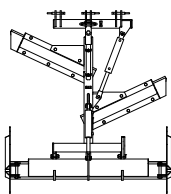
Available in 4 sizes to fit all tractors

6' (180 cm) : 30 to 50 hp / 8' (240 cm) : 50 to 100 hp / 10' (300 cm) : 100 to 200 hp / 12' (360 cm) : 100 to 250 hp

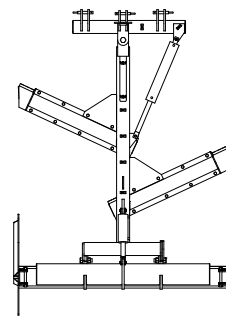
Horsepowers given are for tractor's PTO.



6' SCRAPER



8' SCRAPER



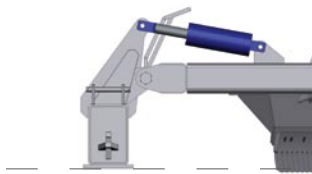
Retractable side plates

The side plates of the scraper can be pulled up in order to let the soil go out by one or both sides or to perform specific operations.

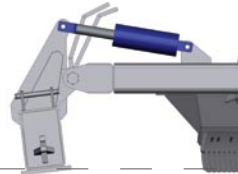
Requires 2 standard hydraulic outputs

Industrial quality ripping teeth

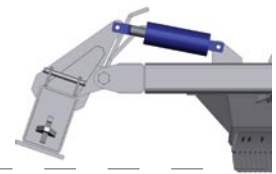
Adjustable heel made of CHT400 abrasive steel



When the heel is straight, the scraper loads itself of soil and unloads itself only in holes.



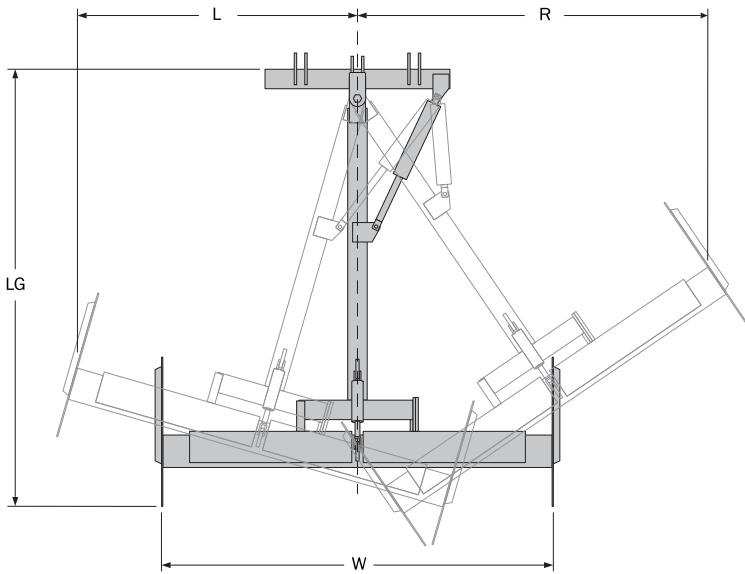
When the heel is tilted backwards, the scraper leaves the desired amount of soil to the desired locations.



The heel can be completely lifted up allowing to use only the ripping teeth to decompact the soil.

Side shifting

The side shifting allows to get out of reach soil and to work around obstacles with precision. The shift is wider on one side than the other to encourage the use in the traffic direction when grading roads.



Scraper's width [W]	Width covered on the left [L]	Width covered on the right [R]	Width covered by a round trip in the same path [2 x R]	Length [LG]	Weight [-]
6 ft 180 cm	55 in 140 cm	67 in 170 cm	110 in 340 cm	93 in 236 cm	1084 lbs 492 kg
8 ft 240 cm	74 in 188 cm	98 in 249 cm	196 in 498 cm	142 in 360 cm	2705 lbs 1227 kg
10 ft 300 cm	86 in 218 cm	108 in 274 cm	216 in 548 cm	142 in 360 cm	2983 lbs 1353 kg
12 ft 360 cm	98 in 249 cm	118 in 300 cm	236 in 600 cm	142 in 360 cm	3299 lbs 1496 kg

AUTHORIZED DEALER



FABRICATIONS WIL-BE 2010 INC.
440 chemin Ville-Marie, Pintendre (Québec) G6C 1B5
418-833-2821 / 1-888-633-2821 / www.wil-be.com